



CustomControlSensors

# Safety Interlock Pressure Switch For Tire Curing Presses 6214GBZ\*100 Series



## DESCRIPTION:

- Utilizes highly reliable CCS Dual-Snap® Belleville disc spring technology
- Dual ports include debris clean-out port
- Horizontal and vertical port orientation for ease of piping installation
- 500°F rated Ethylene Propylene O-Ring specially designed for steam resistance
- Dual diaphragms including 500°F Teflon-Fiberglass and polyimide diaphragm
- Redundant micro switch option to ensure safe operation
- Customer-specified setpoint to prevent unwanted adjustment of pressure settings
- Stainless steel process connection
- Integral pressure switch and terminal box design
- Optional labels with different colors for easy set point identification

## SERIES:

6214GBZ\*100

## SET POINT RANGE:

### GAGE PRESSURE:

0.2 to 30 PSIG  
0.01 to 2.07 Bar  
3.45 to 207 kPa

## OPERATING TEMPERATURE:

-40° to 400°F  
-40° to 204°C

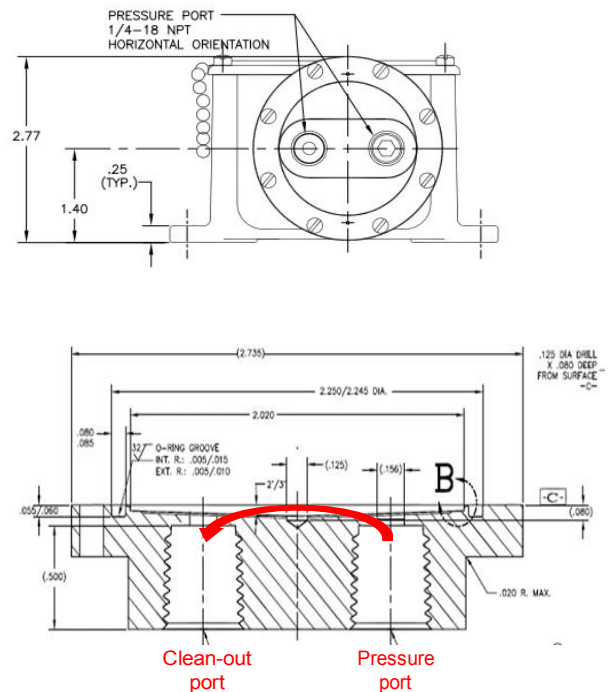
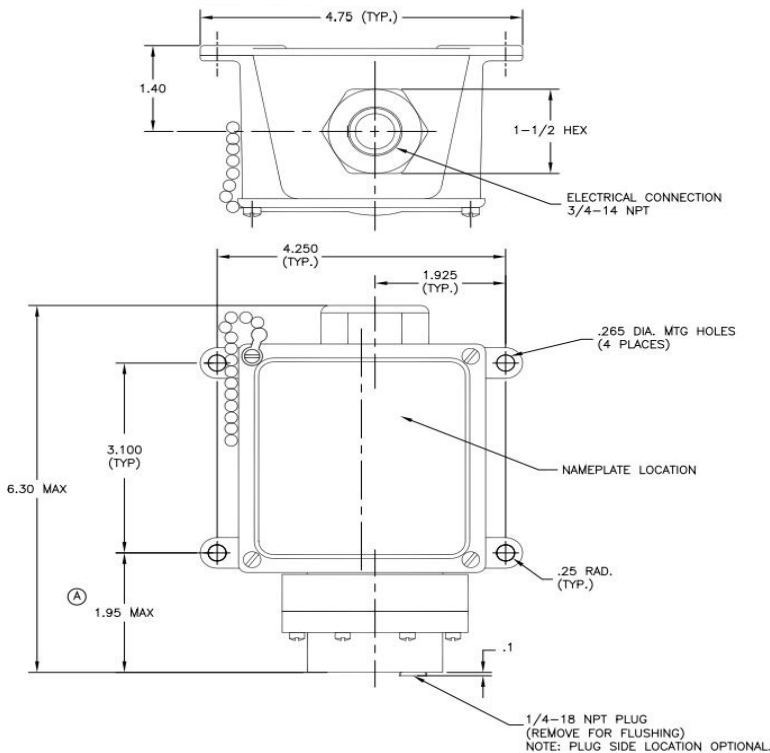
## STANDARD APPROVALS:

- CE Mark
- CCC
- NEMA: 4, 13 / IP65

## SHIPPING WEIGHT:

- Approximately 40 ounces (1134 grams)

## INSTALLATION DRAWING





CustomControlSensors

# Safety Interlock Pressure Switch For Tire Curing Presses 6214GBZ\*100 Series

## OPERATING AND ORDERING DATA

SERIES 6214GBZ*	WETTED PARTS: DUAL 1/4"-18 NPT STAINLESS STEEL PRESSURE PORTS, HORIZONTAL ORIENTATION, TEFLON-FIBERGLASS DIAPHRAGM, ETHYLENE PROPYLENE O-RING				
	FIXED SET POINT RANGE (SPECIFY SET POINT ON ORDER)		APPROX. DEAD BAND PSI (BAR)	SYSTEM PRESSURE PSIG (BAR)	PROOF PRESSURE PSIG (BAR)
	INCREASING PRESSURE PSIG (BAR)	DECREASING PRESSURE PSIG (BAR)			
6214GBZ*H100	0.5-30 (0.07-1.1)	0.5-30 (0.02-1.05)	1 (0.069)	400 (27.6)	500 (34.5)
SERIES 6214GBZ*	WETTED PARTS: DUAL 1/4"-18 NPT STAINLESS STEEL PRESSURE PORTS, VERTICAL ORIENTATION, TEFLON-FIBERGLASS DIAPHRAGM, ETHYLENE PROPYLENE O-RING				
	FIXED SET POINT RANGE (SPECIFY SET POINT ON ORDER)		APPROX. DEAD BAND PSI (BAR)	SYSTEM PRESSURE PSIG (BAR)	PROOF PRESSURE PSIG (BAR)
	INCREASING PRESSURE PSIG (BAR)	DECREASING PRESSURE PSIG (BAR)			
6214GBZ*V100	0.5-30 (0.07-1.1)	0.5-30 (0.02-1.05)	1 (0.069)	400 (27.6)	500 (34.5)

Note: A mylar tag will be attached designating the increasing or decreasing set point in PSI and Bar.

## HOW TO ORDER

Follow these steps to build your part number:

1. Specify the series based on your required set point, range, dead band, system pressure and proof pressure.
2. Add desired options model code letter.
3. Specify the set point on your order. Side tag attached to switch will be issued and designate set point.

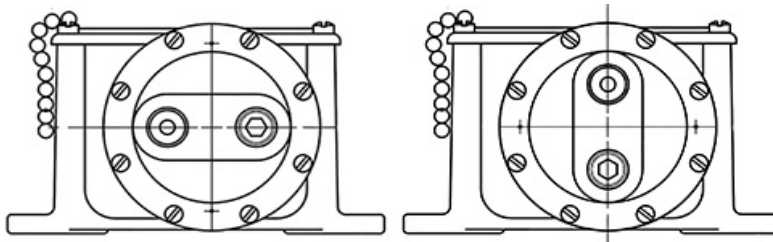
## PRESSURE CONVERSION

1 Bar = 14.5 PSI  
1 kPa = 0.145 PSI

## OPTIONS MODEL CODES

**M:** DPDT Electrical  
**H:** Horizontal Port  
**V:** Vertical Port

## PORT ORIENTATION CONFIGURATION



HORIZONTAL

VERTICAL

## CERTIFICATIONS

Consult CCS website for complete certification and approval listing.

Note: Additional modified options are available by request. Consult CCS Sales Department or CCS Representative.

For inquiries, contact  
Shervin Tajbakhsh  
Sales Applications Engineer  
stajbakhsh@ccsdualsnap.com

## ELECTRICAL CHARACTERISTICS

RATING OF SWITCH ELEMENT

VOLTS	AMPERES	
	SPDT	DPDT "M"
	Res.	Res.
125 AC - 50/60 Hz	15	5
250 AC - 50/60 Hz	15	5
480 AC - 50/60 Hz	15	-
28 DC	-	5
125 DC	0.5	-
250 DC	0.2	-

## SCHEMATIC AND WIRING CODE

