



Type 7000 Precision Air Pressure Regulator

For applications that require high flow capacity

The Type 7000 regulator provides high flow capacity while maintaining high accuracy, low droop and precise adjustment. Multiple port size options and rugged construction make the Type 7000 regulator suitable for many applications.

Features

- **1/4", 1/2", or 3/4" NPT Porting**
- **Two 1/4" NPT Gauge Ports**
- **High Forward Flow**
Allows flows up to 250 scfm.
- **Sensitive**
Senses output pressure deviations to within 1/2" water column pressure.
- **Stable Output**
Isolated control chamber prevents output variation and vibration during flow conditions.
- **Balanced Supply Valve**
Virtually eliminates changes to supply pressure variation.

Specifications

Maximum Flow Coefficients (Cv)	Port	Forward
	3/4"	5.0
	1/2"	4.3
	1/4"	2.0
Exhaust Capacity 5 psig (0.35 bar) above 20 psig (1.38 bar) setpoint	30 scfm	
Sensitivity	Less than 1/2" water	
Effect of Supply Pressure Variation on Output	Less than 0.3 psi (.007 bar) for 100 psi (6.7 bar) change	
Air Consumption	Steady State: From 1.0 to 12.5 scfh (30 to 375 NI/hr), depending on output pressure range	
Supply Pressure	250 psig (17.5 bar) Maximum	
Operating Temperature	-40°F to 200°F (-40°C to 93°C)	
Weight	2.5 lbs (1.13kg)	
Mounting	Pipe, panel, or bracket	
Port Sizes	In/Out: 1/4", 1/2", or 3/4" NPT Gauge: (2) 1/4" NPT	

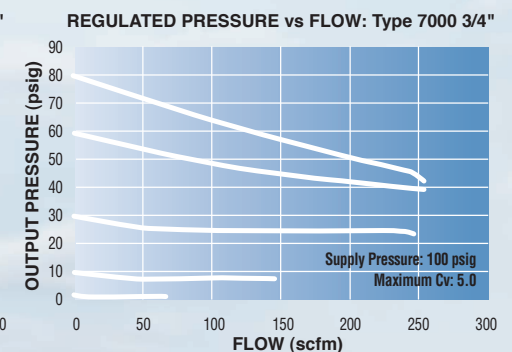
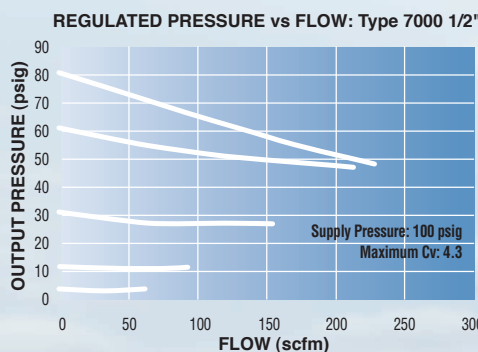
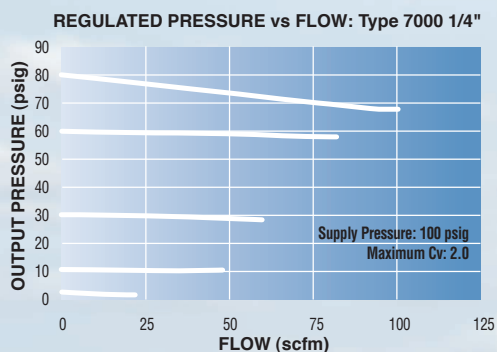


Materials of Construction

Housing	Diecast aluminum alloy
Bolting	Zinc plated steel
Internal Components	Stainless steel, plated steel, brass, aluminum
Elastomers	Nitrile
Knob	Phenolic plastic

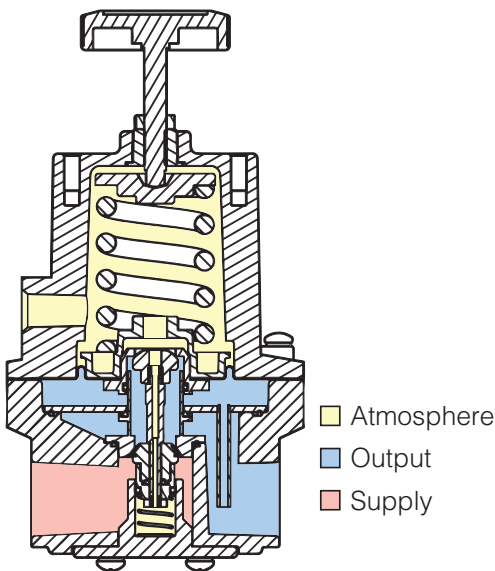
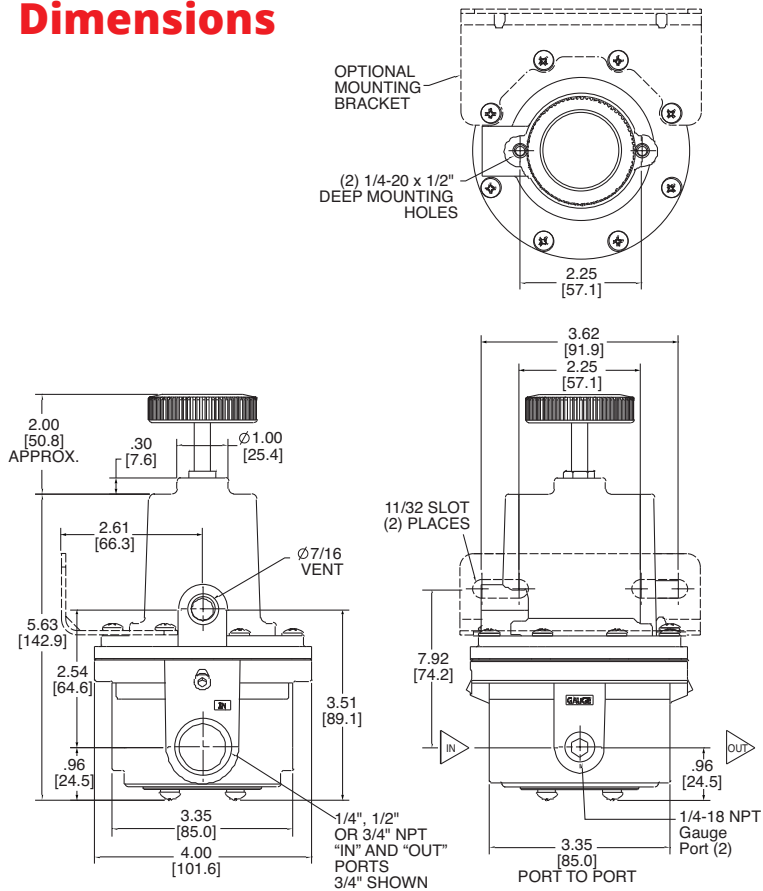


Flow Characteristics



Type 7000 Precision Air Pressure Regulator

Dimensions



Ordering Use this coding system to order

Model

7000

Options

Port Size (NPT)

B 1/4"

D 1/2"

E 3/4"

Range

A 0-2 psig (0-0.15 bar)

B 0-10 psig (0-0.69 bar)

C 0-30 psig (0-2.0 bar)

D 0-60 psig (0-4.0 bar)

E 0-100 psig (0-6.89 bar)

F 0-150 psig (0-10 bar)

G 0-200 psig (0-13.8 bar)

E Tapped Exhaust: allows captured exhaust. 1/4" NPT port

K Stainless Steel Knob Stem, knob itself is phenolic plastic

L Low Bleed: reduces steady state air consumption by 50%

N Non-Relieving: for constant flow or downstream pressure relief applications

S Square head adjusting screw

T Tamper-proof Cover: prevents casual adjustment of output pressure

X ATEX 94/9/EC Approval II 2 GD

Accessories

Mounting Bracket (zinc plated steel): P/N 449-542-045

1/4" NPT Exhaust Screen/Muffler Fitting:

Plated Steel: P/N 445-761-008. Must have 'E' option.

Gauges: 1/4" NPT back mount, 2" face, dual scale

Range psi (bar)	Part Number
0-15 (0-1.0)	446725-003
0-30 (0-2.0)	446-725-004
0-60 (0-4.0)	446-725-001
0-160 (0-11)	446-725-002

Warranty ControlAir LLC products are warranted to be free from defects in materials and workmanship for a period of eighteen months from the date of sale, provided said products are used according to ControlAir LLC recommended usages. ControlAir LLC's liability is limited to the repair, purchase price refund, or replacement in kind, at ControlAir LLC's sole option, of any products proved defective. ControlAir LLC reserves the right to discontinue manufacture of any products or change products materials, designs or specifications without notice. Note: ControlAir does not assume responsibility for the selection, use, or maintenance of any product. Responsibility for the proper selection, use, and maintenance of any ControlAir product remains solely with the purchaser and end user. Drawing downloads available at www.controlair.com



8 Columbia Drive / Amherst, NH 03031 USA / www.controlair.com / sales@controlair.com / 603-886-9400 / FAX 603-889-1844

An ISO 9001:2015 Registered Company

P/N 441-625-070 8/25/20