

BILL OF MATERIAL

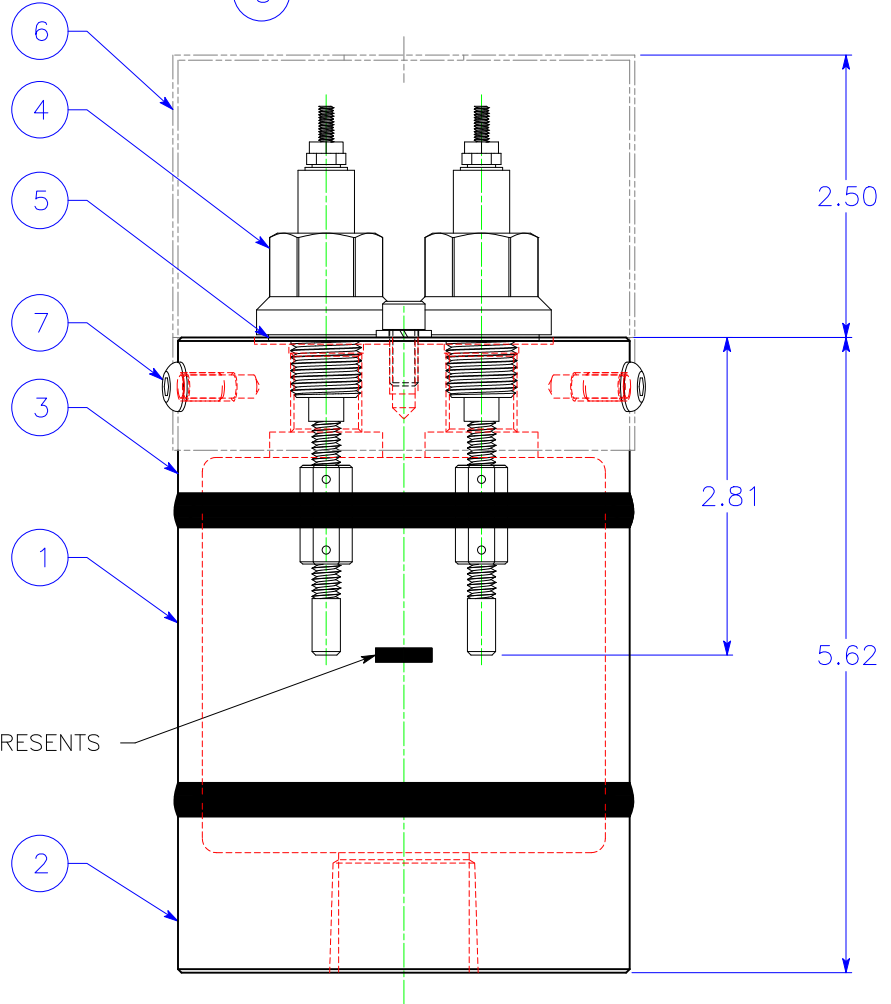
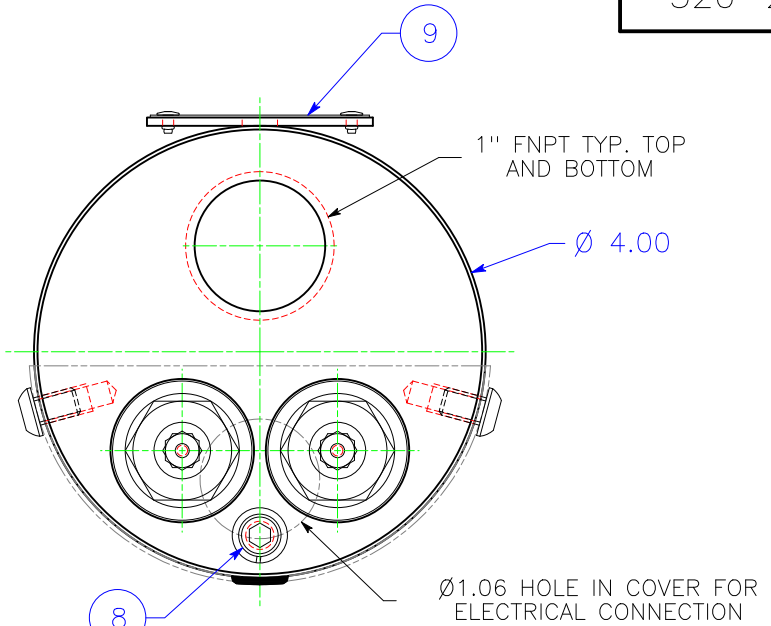
320-25

ITEM	DESCRIPTION	QTY.	MATERIAL
1	BODY	1	SA106B
2	BOTTOM CAP	1	SA105
3	TOP CAP	1	SA105
4	TYPE 800 PROBE	2	TFE INSULATOR-S/S BODY
5	PROBE GASKET	2	304SS/GRAPHITE
6	PROBE COVER	1	304SS
7	COVER SCREW	2	18-8 SS
8	GROUND SCREW	1	18-8 SS
9	TAG	1	304 SS

CUSTOMER:	
CUST. P.O.:	
FACTORY REF.:	
TAG NO.:	
SERIAL NO.:	

NOTES:

- SWITCH RATING: 1,000 PSI WSP.
- PROBES ARE SAME LENGTH, 1 ALARM, 1 COMMON.



THIS DRAWING IN DESIGN AND DETAIL IS OUR PROPERTY AND MUST NOT BE USED EXCEPT IN CONNECTION WITH OUR WORK. IT SHALL NOT BE REPRODUCED AND SHALL BE RETURNED TO US ON DEMAND. ALL RIGHTS ARE RESERVED.

CATALOG DRAWING

STANDARD MANUFACTURING LIMITS UNLESS OTHERWISE SPECIFIED

UNDER 1.00	± .03
1.00 INCL. TO 4.00	± .06
4.00 AND OVER	± .13
ANGLES	± 2°



13960 SOUTH WAYSIDE DR.
HOUSTON, TEXAS 77048
(281)240-0440 FAX(281)240-2440
E-MAIL: SALES@QTSLEVEL.COM



TITLE

LEVEL-TRAC MODEL LT-40-02
POINT LEVEL SWITCH

REV	DATE	DESCRIPTION	DRN	APPD

ALL DIMENSIONS IN INCHES, UNLESS OTHERWISE SPECIFIED.

DRN	JLR	DATE	2/24/15	DWG NO.	320-25	REV	0
CHKD	MRB	DATE	2/24/15	SCALE	DO NOT SCALE	SHT	1 OF 1
APPD	RE	DATE	2/24/15				