

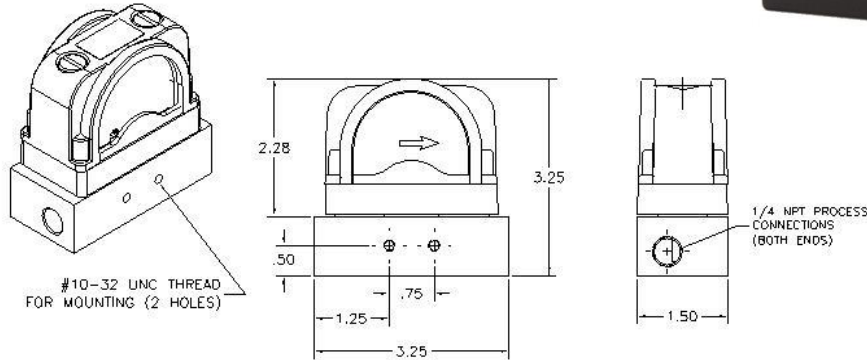
# Mid-West<sup>®</sup> Instrument

## Differential Pressure Indicator Model 555A

Colored bands allow you to quickly identify pressure drop across element. Divided into three sections, each clearly marked for ease of understanding. Commonly used to indicate when to change or clean a filter.

**Example:** 555A-10.0 changes from green to yellow at 5 PSID and from yellow to red at 7.5 PSID.

Mounting block has 1/4" FNPT in-line process connections for ease of installation. Accuracy is ±5% Full Scale



Model No. Buna-N	Model No. Viton	DP Range	Transition Points		
			Green	Yellow	Red
555A-3.5	555A-3.5V	0-3 PSID	0-2.0	2.0-2.5	2.5-3.5
555A-5.0	555A-5.0V	0-5 PSID	0-3.0	3.0-4.5	4.5-5.0
555A-10.0	555A-10.0V	0-10 PSID	0-5.0	5.0-7.5	7.5-10.0
555A-12.0	555A-12.0V	0-12 PSID	0-6.0	6.0-9.0	9.0-12.0
555A-15.0	555A-15.0V	0-15 PSID	0-7.5	7.5-12.0	12.0-15.0
555A-20.0	555A-20.0V	0-20 PSID	0-10.0	10.0-15.5	15.5-20.0
555A-25.0	555A-25.0V	0-25 PSID	0-11.0	11.0-18.5	18.5-25.0
555A-30.0	555A-30.0V	0-30 PSID	0-13.0	13.0-20.0	20.0-30.0
555A-43.0	555A-43.0V	0-43 PSID	0-19.5	19.5-29.5	29.5-43.0

SPECIFICATIONS:		Comments:
<b>Pressure (Ratings)</b>		
<b>Maximum Working</b>	300 PSIG	
<b>Maximum Differential</b>	50 PSID	
<b>Accuracy</b>	± 5% of Rated Differential Pressure Range	Calibrated at Color Transitions
<b>Operating Temperature (Max.)</b>	65.6°C (150°F)	
<b>Materials of Construction</b>		
<b>Body Material</b>	Glass Filled Nylon (GFN)	
<b>Wetted Internals</b>	Stainless Steel, Ceramic, & GFN	
<b>Elastomers</b>	Buna-N or Viton	
<b>Movement</b>	Magnetic Piston and Follower Pointer	
<b>Dial</b>	Plastic Lens with 3 Color Dial	
<b>INTERFACE:</b>		
<b>Process Connections:</b>	1/4" FNPT End Connections. To switch HIGH and LOW pressure connections: (Remove Indicator from base and rotate 180° - Retighten plastic bolts to 20-25 inch pounds.)	Flow Direction Identified on Dial. (Arrow Points to Low Pressure Port)